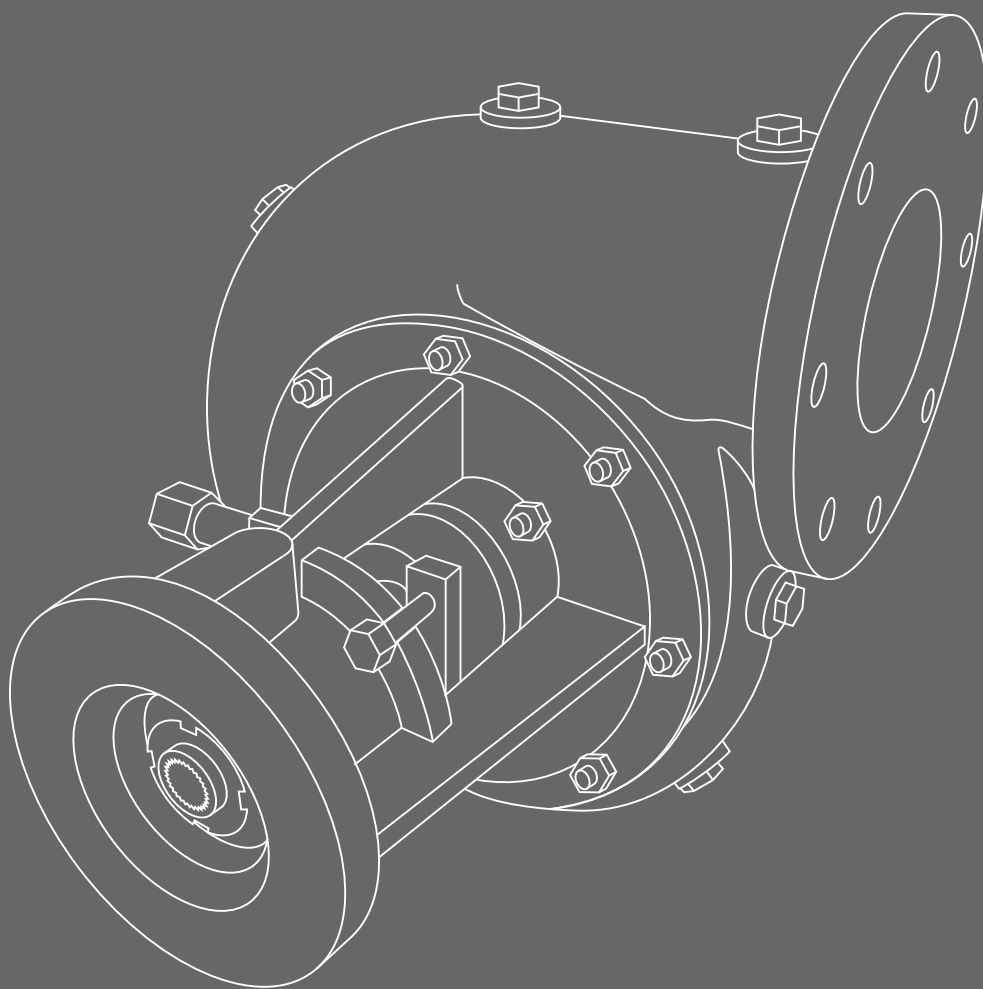




RNGI



Centrifugal pump

NC-127R1

NC-127R1 SERIES CENTRIFUGAL PUMP

Centrifugal pumps of **NC-127R1** series is intended to pump various liquids:

- abrasive hydraulic fluids (clay and gravel mortars, mixtures of water and sand, ore, etc.);
- flushing liquid used in the course of well drilling;
- household and industrial waste waters;
- spent flushing liquid (into cyclone plant to clean it of drilled solids);
- cement mortars.

Advantages of centrifugal pump NC-127R1:

- simple maintenance;
- light weight;
- compact size;
- extreme durability;
- minimal installation space requirements;
- all parts are steel casted;
- stainless steel impeller;
- increased wearing resistance of pump components;
- horizontal or vertical layout;
- versatile, modular design that allows customers to purchase only the parts necessary for repairs;
- ability to alter rotation direction, which is possible because it is simple to install an impeller suitable for the necessary rotation and volute direction (only the impeller is to be replaced, while all other parts remain the same);
- exposed impeller.

Pumped fluid properties:

hydraulic fluid density, kg/m³

temperature, °C

solid particle content

solid particle maximal size, mm

up to 2500

+5 ... +55

up to 60%

at most 20

Technical specifications:

Pump overall dimensions (LxWxH), mm

Inlet port diameter, mm

Outlet port diameter, mm

Impeller diameter, mm

Maximal speed, rpm

Weight, kg, ±3%

Maximal head, m

Maximal flow, m³/h (lps)

Component materials:

Impeller

Other components (castings)

Other components (except castings)

585x500x400

152 (6") ASME/ANSI B 16.5 Class 150

127 (5") ASME/ANSI B 16.5 Class 150

252 (10")

2400

130

55

270 (75)

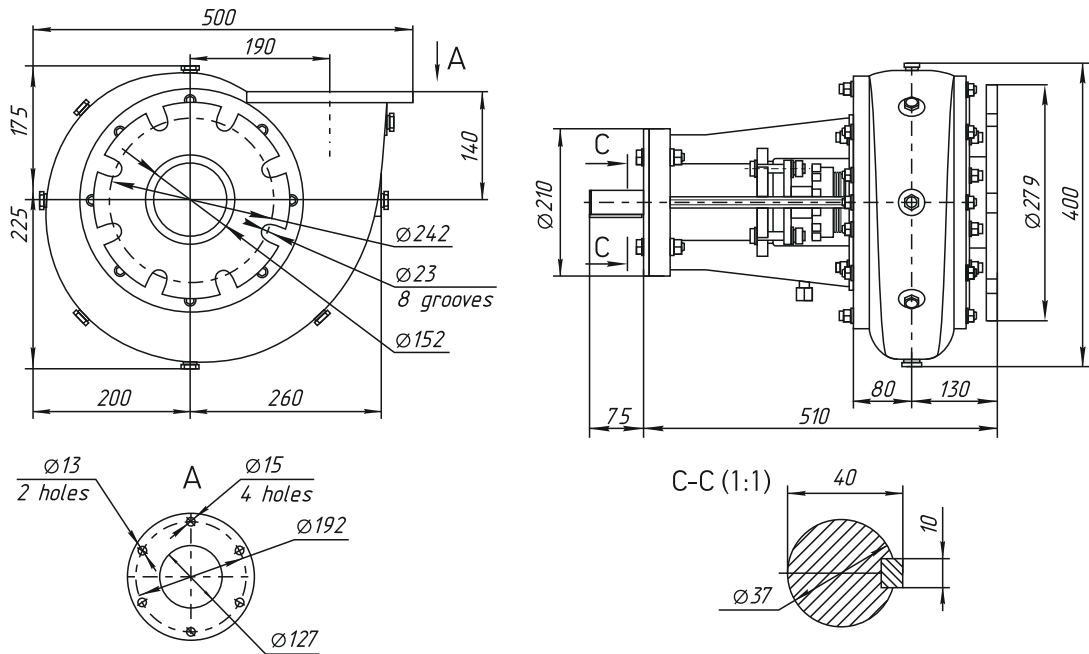
20H13L

40HL

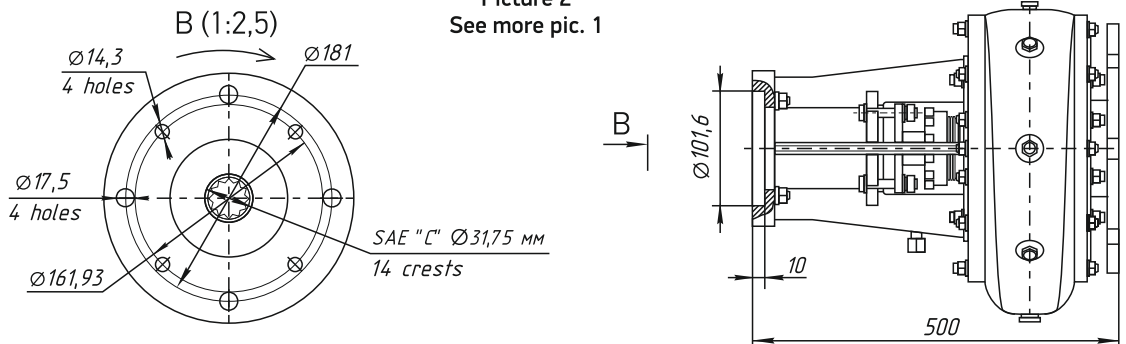
40H

Centrifugal pump NC-127P1 (6" x 5" x 10"). Dimensions.

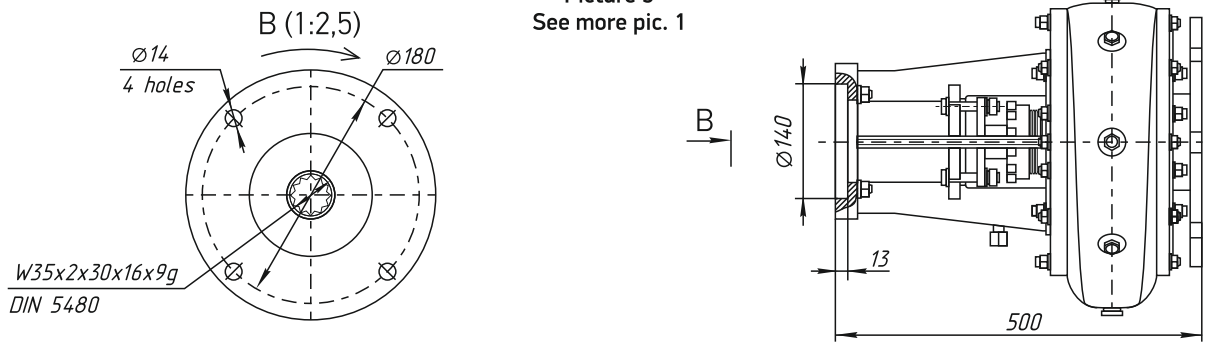
Picture 1



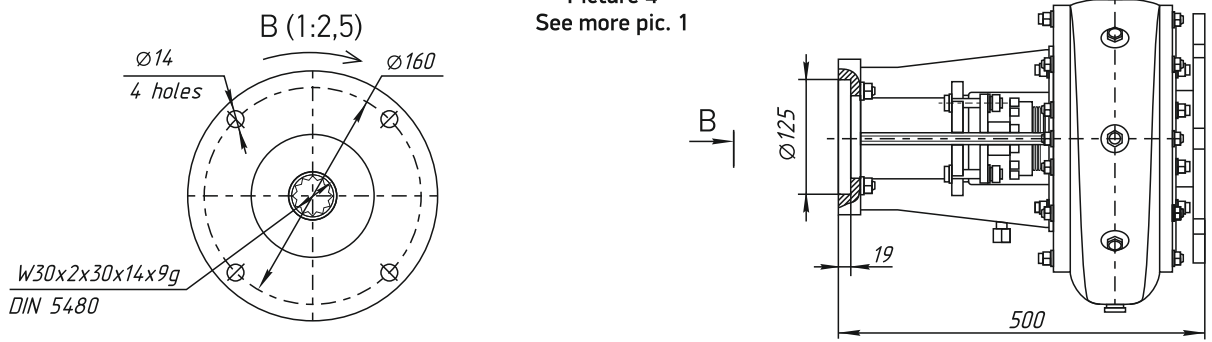
Picture 2
See more pic. 1



Picture 3
See more pic. 1



Picture 4
See more pic. 1

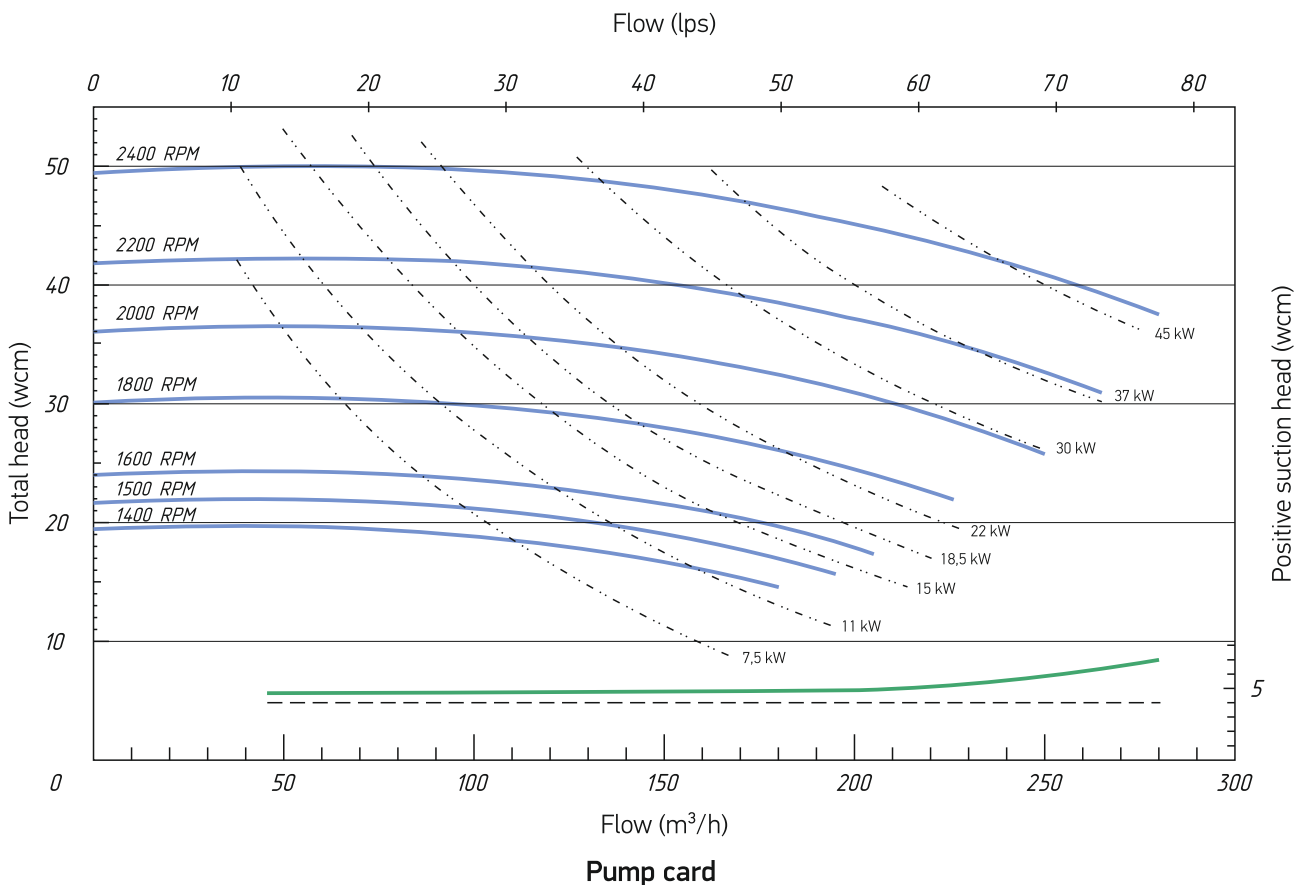


Pump modifications

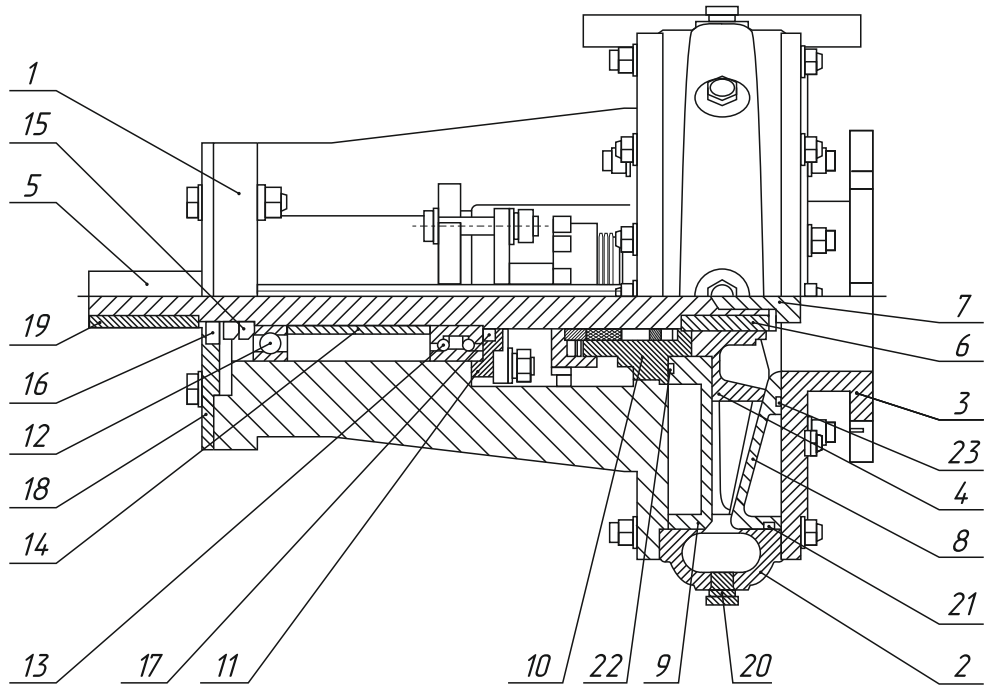
Typesize	Pic.	Connection	Rotation
HLQ-127P1	1	Coupling	C.W./C.C.W.
HLQ-127P1-01	2	Connection to hydraulic motor with SAE "C" flange with 2 or 4 holes	C.W./C.C.W.
HLQ-127P1-02	3	Connection to hydraulic motor 310.X.80.0F	C.W./C.C.W.
HLQ-127P1-03	4	Connection to hydraulic motor 310.X.56.0F	C.W./C.C.W.

Additional parameters

Name	The option of the performance
Shaft seal type	Gland seal
	Mechanical seal



Centrifugal pump NC-127R1 manufactured by Rosneftegazinstrument is a small and compact device intended for high pressure feeding of three-cylinder piston pumps involved in wells operation. It is specially designed to pump abrasive mixtures (sludge) and cement mortars. The pumps are manufactured by means of contemporary CNC equipment. Our centrifugal pumps are suitable for various industries.

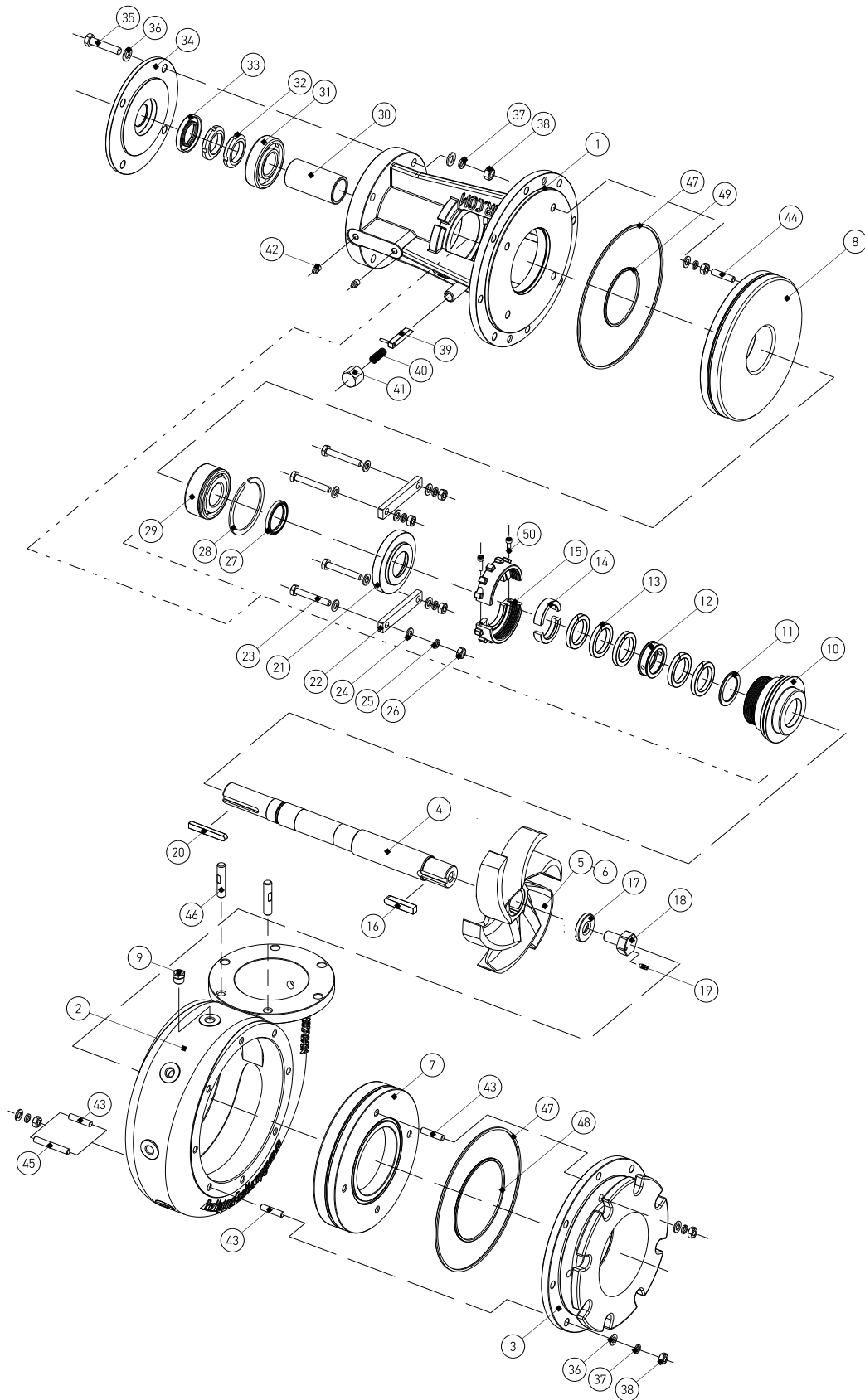


Centrifugal pump NC-127P1 (6"x5"x10"). Structure.

1	body
2	volute diffuser with outlet fitting 5"
3	inlet fitting 6"
4	full opening impeller 10"
5	shaft
6	impeller keystone
7	bolt for locking the impeller to the spindle
8, 9	front and rear wear-related shrouds
10	seal assembly
11	cap
12, 13	bearings
14	spacing sleeve
15	clamping nut
16*, 17	oil seal
18*	shield
19*	shaft key
20	plug K3/8" GOST 6111-52
21, 22, 23	o-rings GOST 9833-73

* - for centrifugal pump NC-127R1 using a shaft for a key

Centrifugal pump NC-127R1 (6"x5"x10"). Part list



Centrifugal pump NC-127R1 (6"x5"x10"). Part list

Name	Position	Quantity
NC-127R1.01.00 – Body	1	1 pc.
NC-127R1.00.01 – Volute	2	1 pc.
NC-127R1.00.02 – Cap	3	1 pc.
NC-127R1.00.17 – Shaft	4	1 pc.
NC-127R1.00.16 – Impeller (for a pump with right rotation)	5	1 pc.
NC-127R1.00.16-01 - Impeller (for a pump with left rotation)	6	1 pc.
NC-127R1.00.03 - Front wear-related shroud	7	1 pc.
NC-127R1.00.04 - Backward wear-related shroud	8	1 pc.
NC-127R1.00.20 – Plug	9	8 pcs.
NC-127R1.00.05 - Sleeve	10	1 pc.
NC-127R1.00.06 - Lower mouth ring	11	1 pc.
NC-127R1.00.07 - Drain ring	12	1 pc.
Gasket 8 x 8 mm GOST 5152-84	13	900 mm
NC-127R1.00.08 - Compression D-ring	14	2 pcs.
NC-127R1.02.00 – Nut	15	1 pc.
NC-127R1.00.18 – Shaft key	16	1 pc.
NC-127R1.00.14 – Washer	17	1 pc.
NC-127R1.00.15 – Bolt	18	1 pc.
Lock screw M6x16 GOST 8878-93	19	1 pc.
NC-127R1.00.20 – Shaft key	20	1 pc.
NC-127R1.00.10 - Through cover	21	1 pc.
NC-127R1.00.11 – Strip	22	2 pcs.
Bolt M10x70 GOST 7805-70	23	4 pcs.
Washer C.10 GOST 11371-78	24	8 pcs.
Washer 10 GOST 6402-70	25	4 pcs.
Nut M10 GOST 5915-70	26	4 pcs.
Oil seal 1.1-45 x60-1 GOST 8752-79	27	1 pc.
Snap ring A90.65 GOST 13940-86	28	1 pc.
NC-127R1.00.13 - Double row angular contact ball bearing with snap ring groove (3056308 GOST 4252-75)	29	1 pc.
NC-127R1.00.09 – Bushing	30	1 pc.
Single row radial ball bearing 308 GOST 8338-75	31	1 pc.
NC-76R1.00.18 - Nut	32	2 pcs.
Oil seal 1.2-37x66-1 (h 9,5)	33	1 pc.
NC-127R1.00.22 - Shield	34	1 pc.
Bolt M12x60 GOST 7805-70	35	4 pcs.
Washer C.12 GOST 11371-78	36	32 pcs.
Washer 12 GOST 6402-70	37	28 pcs.
Nut M12 GOST 5915-70	38	28 pcs.
NC-100R1.03.00 – Latch	39	1 pc.
NC-100R1.00.21 – Spring	40	1 pc.
NC-100R1.00.12 – Bonnet	41	1 pc.
Oil cup 1. 2. C6.chrome GOST 19853-74	42	3 pcs.
NC-127R1.00.19 – Studbolt	43	20 pcs.
NC-100R1.00.19-03 – Studbolt	44	4 pcs.
NC-100R1.00.19-02 - Studbolt (for installation with a bracket)	45	5 pcs.
NC-127R1.00.23 - Studbolt	46	2 pcs.
O-ring 250-260-46-1-1 GOST 9833-73	47	2 pcs.
O-ring 150-160-46-1-1 GOST 9833-73	48	1 pc.
O-ring 100-108-46-1-1 GOST 9833-73	49	1 pc.
Screw M6x25 GOST 11738-84	50	2 pcs.



RNGI

phone:
+1 (512) 861-19-64

e-mail: manager@rngi.net
www.rngi.net

